

## MicrO/I® HG4F Operator Interface

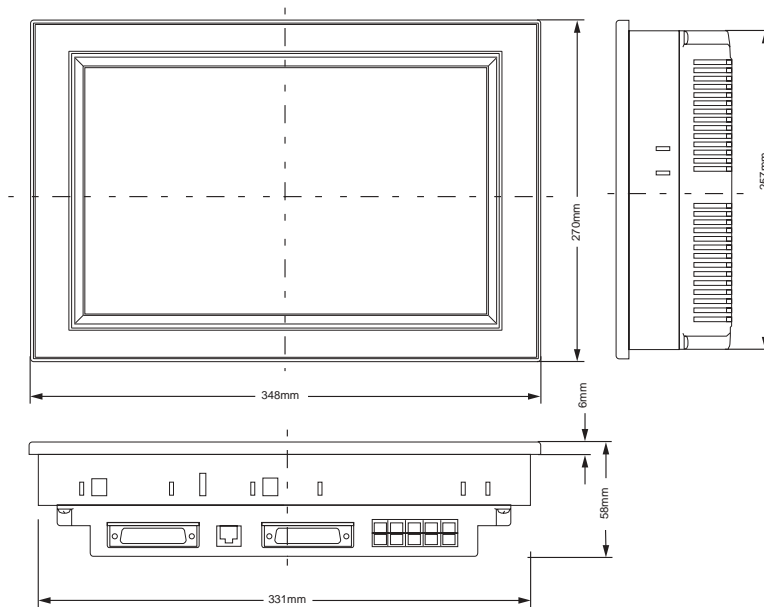


### Key features of the HG4F include:

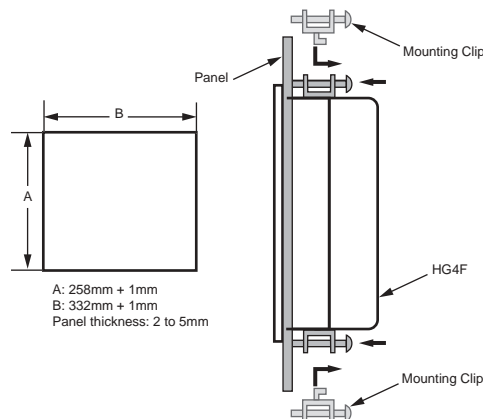
- 12.1" TFT LCD screen
- RS-232, RS-485 or RS-422 compatible
- Field replaceable backlight
- Alarm logging capability
- 256 colors
- Bar graphs and bitmap capability
- Trending capability
- Real time clock
- Ethernet and compact flash support
- CE marked, c-UL and UL listed
- UL1604 for hazardous locations
- Meets IP65 standards
- Programmable with WindO/I-NV2 software

## Dimensions & Panel Cutout

### Dimensions



### Installation Panel Layout



MicrO/I® HG4F Specifications

General Specifications	<b>Standards</b>	Safety Standards	UL508, UL1604, CSA C22-2, No. 213, CE,		
		EMC Standards	IEC/EN61131-2, IEC/EN 61000-6-4, IEC/EN61000-6-2, CE		
	<b>Electrical</b>	Rated voltage	24V DC		
		Voltage variation range	80 to 120% of the rated voltage (including ripple)		
		Power consumption	25W maximum (at the rated voltage)		
		Momentary Power Interruption	10ms maximum, Level: PS-2		
		Inrush current	15A maximum (cold start)		
		Dielectric strength	AC 1500V 10mA, 1 minute (between power terminals & FG)		
		Insulation resistance	10 MΩ minimum (500V DC megger) (Between power terminals and FG)		
	<b>Environmental</b>	Operating temperature range	0 to 50°C (no freezing)		
		Operating humidity range	20 to 85% RH (no condensation)		
		Storage temperature	-20 to 60°C (no freezing)		
		Storage humidity	20 to 85% RH (no condensation)		
		Vibration resistance	10 to 55Hz 9.8m/s <sup>2</sup> (2 HRS in each axis X, Y and Z) (IEC 60068-2-6)		
		Shock resistance	147 m/s <sup>2</sup> (5 times each axis X, Y and Z) (IEC 60062-2-27)		
		Altitude	0 to 2000m (operation) 0 to 3000m (transport) (IEC 61131-2)		
		Pollution Degree	Pollution degree 2 (IEC60664-1)		
	<b>Structural</b>	Degree of protection	IP66, NEMA 4, 4X, and 13 (front of panel)		
		Exterior Dimensions (W x H x D)	348mm x 270mm x 58mm		
		Panel Cutout Dimensions (W x H)	332mm +1 x 258mm +1		
	<b>Noise</b>	Weight	Approx. 3.4kg		
		Electrostatic Discharge	ESD-3 (RH-1) Level 3 Contact ±6kV Air ±8kV	IEC/EN 61000-4-2	
		Electromagnetic Field	10V/m 0.27M to 500MHz 10V/m AM80% 80M to 1000MHz	IEC/EN 61000-4-3	
		Fast Transient Burst Withstandability	Common mode: Level 3 Power supply: ±2kV Communication line: ±1kV	IEC/EN 61000-4-4	
		Damped Oscillatory Wave	Serial mode power supply: ± 1kV	IEC/EN 61000-4-12	
Surge Immunity turning on electricity		500V between L-FG	IEC/EN 61000-4-5		
Radiated Emission	IEC/EN 61000-6-4				

Display Specifications	<b>Device</b>	Display	12.1" TFT 256-Color LCD		
		Number of Pixels	800 (W) x 600 (H)		
		Pitch	0.3075 x 0.3075 mm		
		Element life	66,400 hours minimum		
	<b>Backlight</b>	Backlight	Cold cathode tube (Field Replaceable)		
		Backlight life	50,000 hours minimum		
	<b>Graphic Display</b>	Graphics	Line, polyline, rectangle, circle, arc, pie, ellipse, polygon, bitmaps, paint		
Lines		Solid, dotted, dash, long dash, dotted, long dotted			

## Part Numbers

### Part Numbers: MicrO/I® HG4F

Item	Part Number	Description
<b>Color HG4F screen</b>	HG4F-JT22TFW	HG4F Color 12.1" operator interface
<b>Color HG4F screen</b>	HG4F-JT22TFW-DH485-500	HG4F Color 12.1" operator interface with Allen Bradley DH485 for SLC 500 PLCs
<b>WindO/I-NV2 Software</b>	HG9Y-ZSS2W	Configuration software for HG Series O/Is except for HG1X (includes Communication drivers for non-IDEDEC PLCs)

### Part Numbers: MicrO/I® HG2F/3F/4F Cables

Part Number	Description	Connection
HG9Z-XCM1A	Programming cable for HG2F /3F/4Fseries (from PC to HG3F)	RS-232
HG9Z-3C115A	Cable between IDEC Micro3/MicroSmart (FC4A-PC2) PLC and HG2F /3F/4F - 5 ft	RS-485
HG9Z-3C125A	Cable between IDEC Micro3C/ONC/MicroSmart (port2) PLCs and HG2F /3F/4F - 5 ft	RS-232
FC4A-KC2CA	Cable between IDEC MicroSmart (port 1 or 2) and HG2F /3F/4F - 5 ft	RS-232
HG9Z-2C145A	Cable between IDEC Micro3C/ONC/MicroSmart (RS485) PLCs and HG2F /3F/4F - 5 ft	RS-485
HG9Z-3C135A	Cable between Mitsubishi A series or Omron (link) and HG2F/3F/4F - 5 ft	RS-232
HG9Z-3C145A	Cable between Mitsubishi A series (direct or link) and HG2F /3F/4F - 5 ft	RS-232
HG9Z-3C155A	Cable between Omron C Series and HG2F/3F/4F - 5 ft	RS-232
HG9Z-2C125A	Cable between AB-SLC503/504 and HG2F /3F/4F - 5 ft	RS-232
HG9Z-2C135A	Cable between AB-Micrologix series and HG2F /3F/4F - 5 ft	RS-232
HG9Z-2C155A	Cable between Siemens S7-200 series and HG2F /3F/4F - 5 ft	RS-232

## HG4F Drivers

### HG4F Drivers (included with software)

- IDEC
- Allen Bradley
- Omron
- Mitsubishi
- Siemens S7-200
- MODBUS-RTU
- Keyence
- GE- Fanuc (SNPX)
- Aromat

More drivers available, visit [www.idec.com/usa](http://www.idec.com/usa).

## Accessories

### HG1B Accessories

Part Number	Description
HG9Z-XK	Mounting brackets for HG1B series (1 per pack)

### HG2F/3F/4F Accessories

HG2F	HG3F	HG4F	
HG9Z-2D2 (5 sheets per pack)	HG9Z-3DAPN02 (2 sheets per pack)	HG9Z-4DAPN02 (2 sheets per pack)	Protective Sheet
HG9Z-2K1P (1 piece per pack)	HG9Z-4K1PN10 (10 pieces per pack)	HG9Z-4K1PN10 (10 pieces per pack)	Mounting Clip
HG9Z-2B1	HG9Z-3FB	HG9Z-4FB	Replacement Backlight
HG9Z-2G1	HG9Z-2G1	HG9Z-2G1	O/I Communication Link Unit
HG9Z-2P101	HG9Z-3P102	HG9Z-3P102	Digital I/O Expansion Unit
–	HG9Z-MF32	HG9Z-MF32	Compact Flash Card (32MB)

### Obsolete Parts

Obsolete	Replaced By
HG2A-SS22BF	
HG2A-SS22CF	HG2F-SS22VF
HG2A-SS22JF	
HG2A-SB22BF	
HG2A-SB22CF	HG2F-SB22VF
HG2A-SB22JF	
HG1A-SB32BF	
HG1A-SB32BF	HG1B-SB22WF